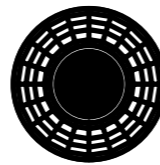
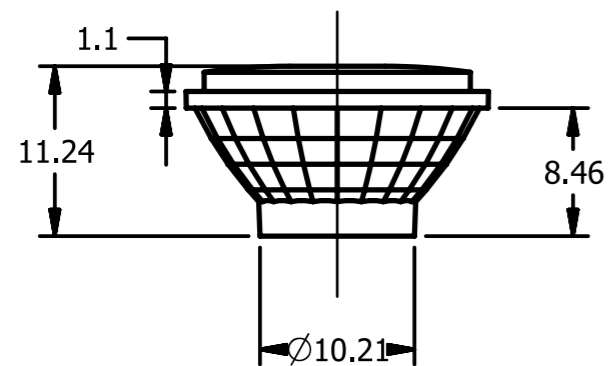
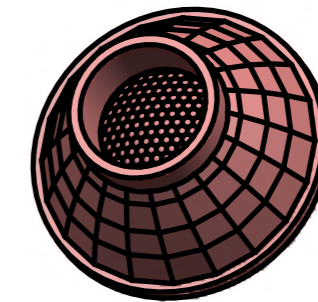
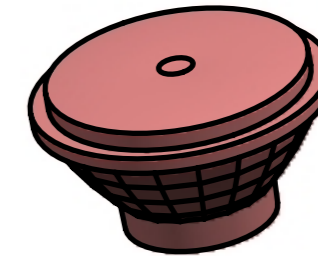


SECTION D-D



GENERAL INFO:-

1. Lens material - Optical PC
 2. Operating Temperature range -40° _ $+110^{\circ}$ (upper limit $+130^{\circ}$)
 3. Storage Temperature range -40° _ $+110^{\circ}$ (upper limit $+130^{\circ}$)
- Average Transmittance in visible spectrum 400nm-700nm > 90%
- Usage and Maintenance**
1. If necessary, clean lenses with mild soap, water and soft cloth.
 2. Never use any commercial cleaning solvents like Alcohol.
 3. Handle and install lenses with wearing gloves, skin oils may Damage lenses or its optical characteristics,.



LENS POINT (INDIA) PVT. LTD.

Drawn By	AKASH	Title - LP72_1X1_2835_25°_20*11.3-FL17		
Checked by	VISHAL			
Approved by		Size A3	OPEN TOL.- ±0.2 MM	ALL DIMENSIONS ARE IN MM
Date	06-05-2022	Scale 1:1	MATERIAL - PC	