

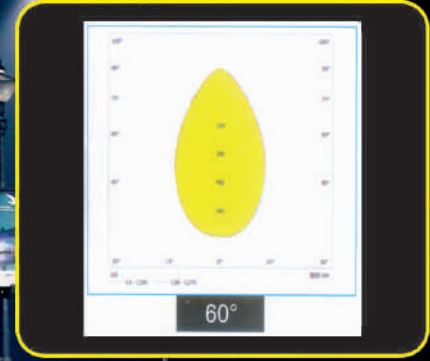


Lens Point

LENS POINT (INDIA) PVT. LTD.

60°

Flood Light Lens

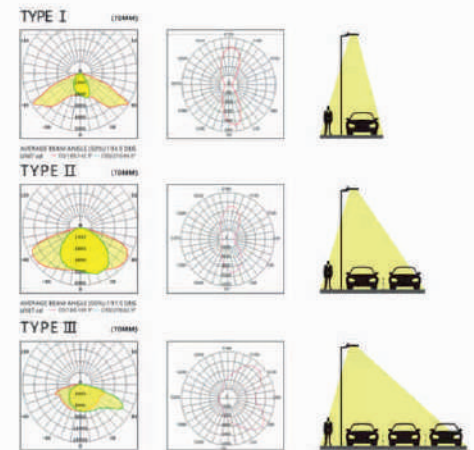


PART NUMBER	SIZE	LED MATERIAL	LED PACKAGE	LED MANUFACTURER
LP69_1X1_5050_60°-15*8.8_FL26	15X8.8 mm	PC	5050	

General Information

Application

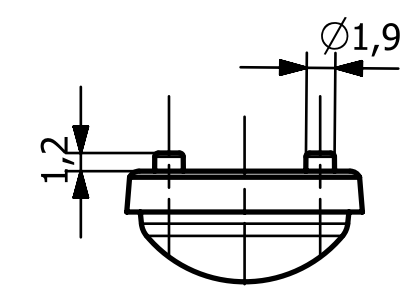
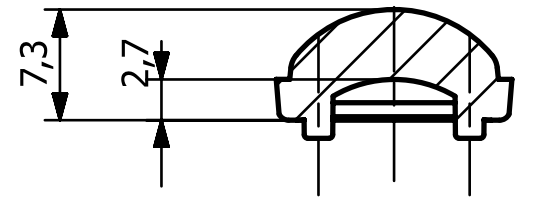
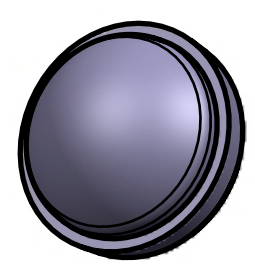
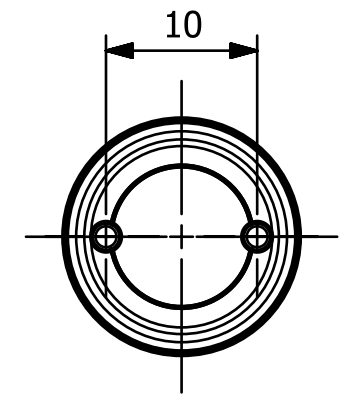
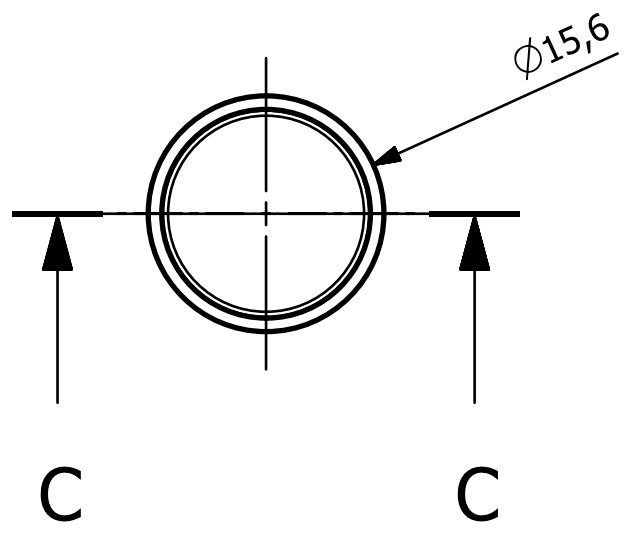
- Lens Material : Optical Grade PC (Bayer 2407)
- Luminous transmittance : 89 to 90%(ISO 135468-/ASTM D1003)
- Refractive index : 1.584 (ISO 489/ASTM D542)
- Operating Temperature range -40°C to 110°C (upper limit +130°C)
- Flammability : HB/V-o (UI94)
- If necessary, clean lenses with mild soap, water and soft cloth.
- ⚠ Never use any commercial cleaning solvents on lenses, like alcohol
- Please handle or install lenses with wearing gloves, skin oils may damage lens or its optical characteristics.



Plot No.3, Kaili Industrial Area, Main GT Road, Ballabgarh, Faridabad-121004, Haryana

+91 9711472021, 7838461601


lenspointindia@gmail.com www.lenspointindia.com



SECTION C-C

GENERAL INFO:-

- 1. Lens material - Optical PC
- 2. Operating Temperature range -40° _ +110°(upper limit +130°)
- 3. Storage Temperature range -40° _ +110°(upper limit +130°)
- Average Transmittance in visible spectrum 400nm-700nm>90%
- Usage and Maintenance
- 1. If necessary, clean lenses with mild soap, water and soft cloth.
- 2. Never use any commercial cleaning solvents like Alcohol.
- 3. Handle and install lenses with wearing gloves, skin oils may Damage lenses or its optical characteristics,.

		<h2>LENS POINT (INDIA) PVT. LTD.</h2>		
Drawn By	AKASH	Title -LP69_1X1_5050_60°-15*8.8_FL26		
Checked by	VISHAL			
Approved by		Size A3	OPEN TOL.- ±0.2 MM	ALL DIMENSIONS ARE IN MM
Date	26-04-2022	Scale 1:1	MATERIAL - PC	