



Type 2

Street Light Lens

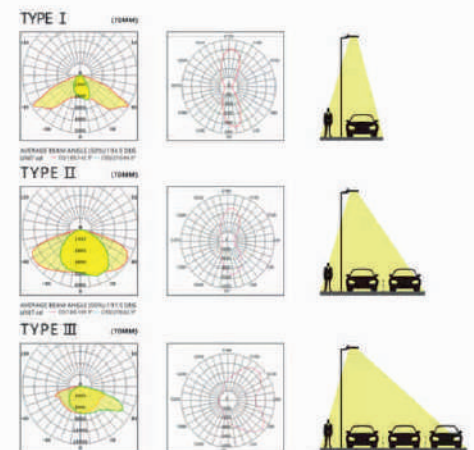


PART NUMBER	SIZE	LED MATERIAL	LED PACKAGE	LED MANUFACTURER
LP61_6X1_3535_ T2-50506.9_SL19	50X50X6.9 mm	PC	3535	

General Information

Application

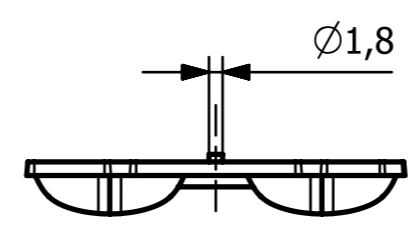
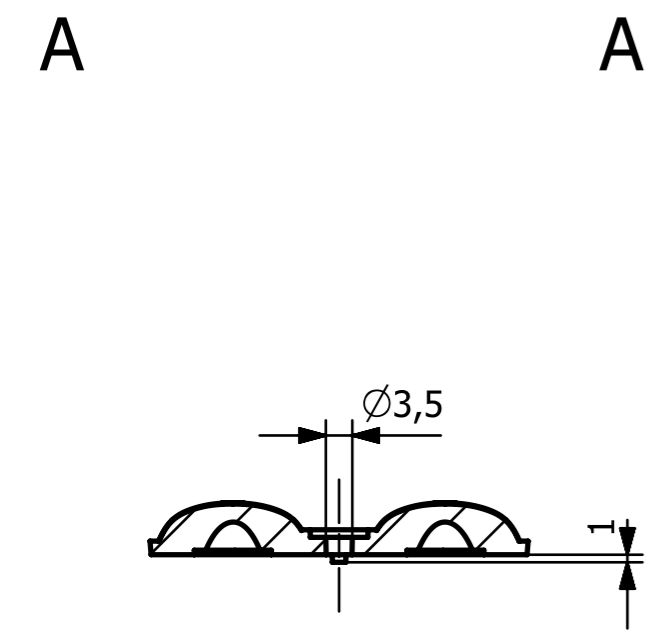
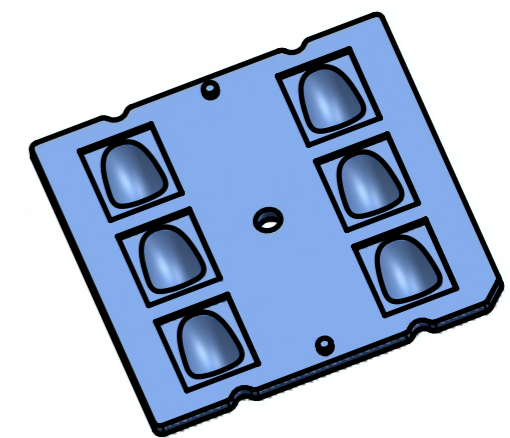
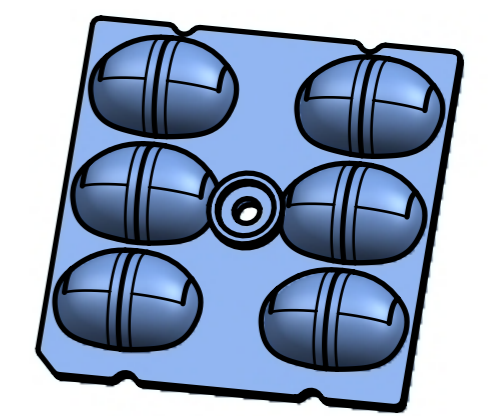
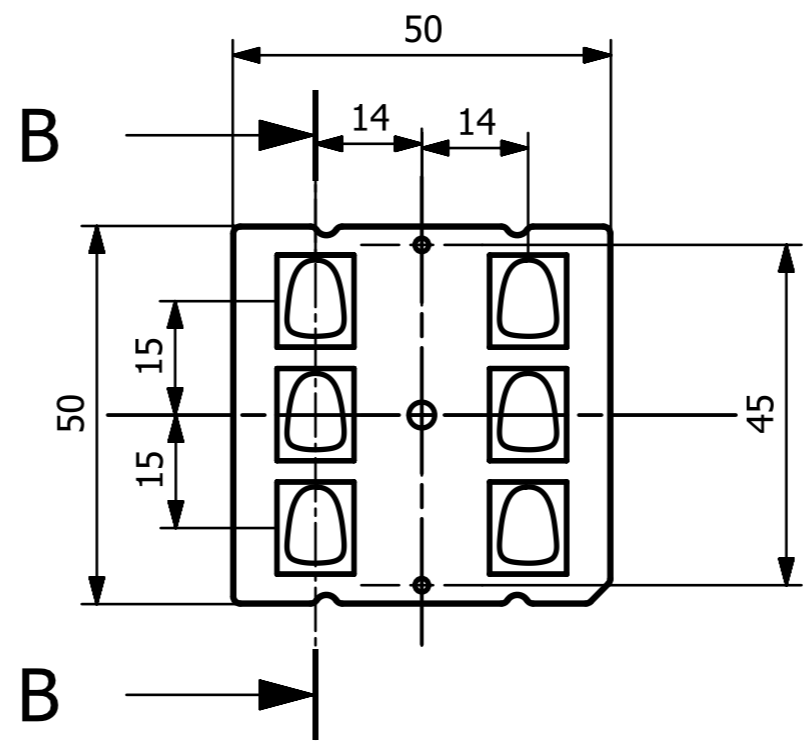
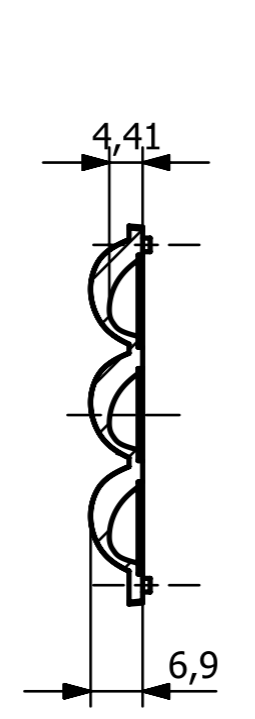
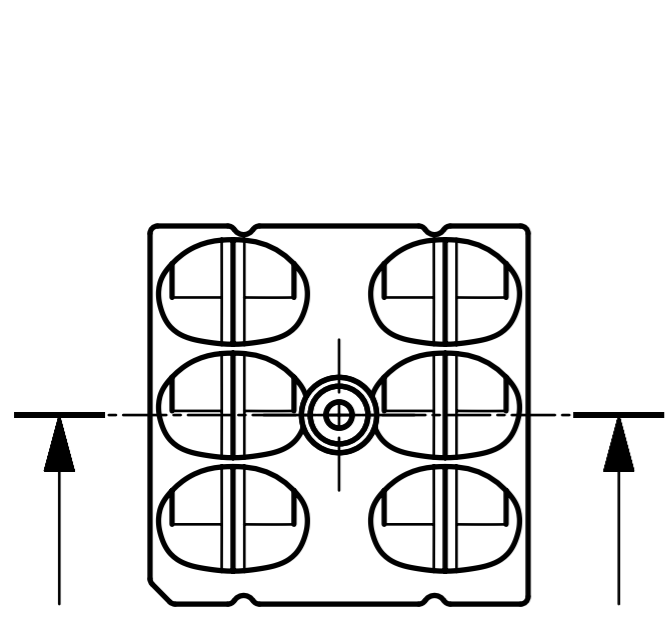
- Lens Material : Optical Grade PC (Bayer 2407)
- Luminous transmittance : 89 to 90%(ISO 135468-/ASTM D1003)
- Refractive index : 1.584 (ISO 489/ASTM D542)
- Operating Temperature range -40°C to 110°C (upper limit +130°C)
- Flammability : HB/V-o (UI94)
- If necessary, clean lenses with mild soap, water and soft cloth.
- ⚠ Never use any commercial cleaning solvents on lenses, like alcohol
- Please handle or install lenses with wearing gloves, skin oils may damage lens or its optical characteristics.



Plot No.3, Kaili Industrial Area, Main GT Road, Ballabgarh, Faridabad-121004, Haryana

+91 9711472021, 7838461601

lenspointindia@gmail.com www.lenspointindia.com



SECTION A-A

GENERAL INFO:-

- 1. Lens material - Optical PC
- 2. Operating Temperature range -40° _ +110°(upper limit +130°)
- 3. Storage Temperature range -40° _ +110°(upper limit +130°)
- Average Transmittance in visible spectrum 400nm-700nm>90%
- Usage and Maintenance
- 1. If necessary, clean lenses with mild soap, water and soft cloth.
- 2. Never use any commercial cleaning solvents like Alcohol.
- 3. Handle and install lenses with wearing gloves, skin oils may Damage lenses or its optical characteristics,.



LENS POINT (INDIA) PVT. LTD.

Drawn By	AKASH	Title - LP61_6X1_3535_-50506.9_SL19		
Checked by	VISHAL			
Approved by		Size A3	OPEN TOL.- ±0.2 MM	ALL DIMENSIONS ARE IN MM
Date	06-05-2022	Scale 1:1	MATERIAL - PC	