



LENS POINT (INDIA) PVT. LTD.

145X45

Street Light Lens

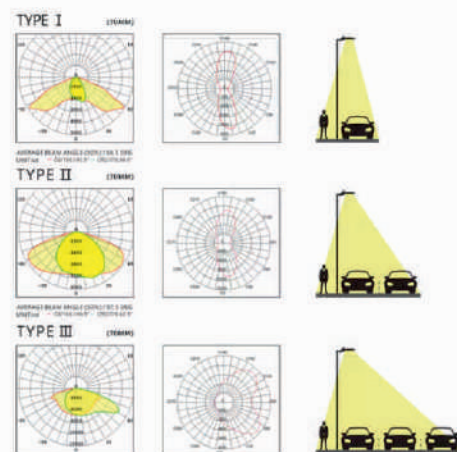


| PART NUMBER | SIZE | LED MATERIAL | LED PACKAGE | LED MANUFACTURER |
|--|------------------|--------------|-------------|---|
| LP35_1X1_5050_145X45°-18.512.88.8_SL12 | 18.5X12.8X8.8 mm | PC | 5050 | OSRAM LUMILEDS CREE SEOUL bridgelux |

General Information

- Lens Material : Optical Grade PC (Bayer 2407)
- Luminous transmittance : 89 to 90%(ISO 135468-/ASTM D1003)
- Refractive index : 1.584 (ISO 489/ASTM D542)
- Operating Temperature range -40°C to 110°C (upper limit +130°C)
- Flammability : HB/V-o (UI94)
- If necessary, clean lenses with mild soap, water and soft cloth.
- ⚠ Never use any commercial cleaning solvents on lenses, like alcohol
- ⚠ Please handle or install lenses with wearing gloves, skin oils may damage lens or its optical characteristics.

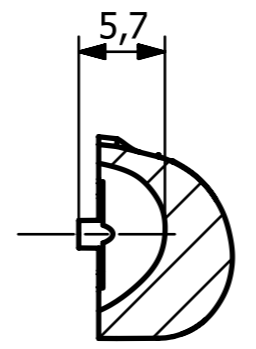
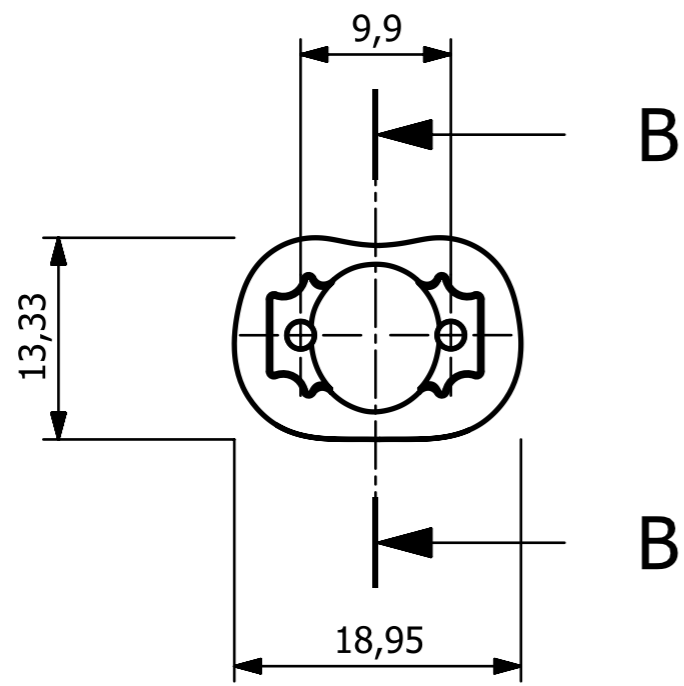
Application



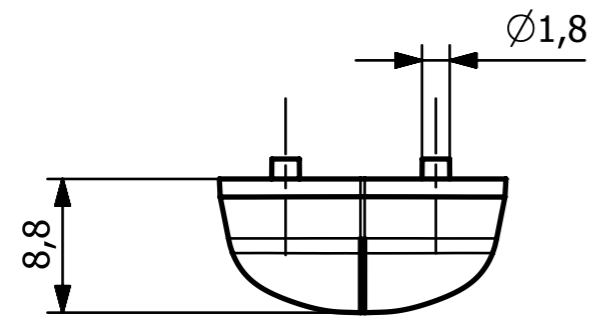
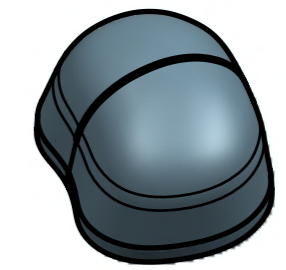
Plot No.3, Kaili Industrial Area, Main GT Road, Ballabgarh, Faridabad-121004, Haryana

+91 9711472021, 7838461601

lenspointindia@gmail.com www.lenspointindia.com



SECTION B-B



GENERAL INFO:-

- 1. Lens material - Optical PC
- 2. Operating Temperature range -40° _ $+110^{\circ}$ (upper limit $+130^{\circ}$)
- 3. Storage Temperature range -40° _ $+110^{\circ}$ (upper limit $+130^{\circ}$)
- Average Transmittance in visible spectrum 400nm-700nm > 90%
- Usage and Maintenance
 - 1. If necessary, clean lenses with mild soap, water and soft cloth.
 - 2. Never use any commercial cleaning solvents like Alcohol.
 - 3. Handle and install lenses with wearing gloves, skin oils may Damage lenses or its optical characteristics,.



LENS POINT (INDIA) PVT. LTD.

| | | | | |
|-------------|------------|---|--------------------|--------------------------|
| Drawn By | AKASH | Title | | |
| Checked by | VISHAL | -LP35_1X1_5050_145X45°_18.512.88.8_SL12 | | |
| Approved by | | Size A3 | OPEN TOL.- ±0.2 MM | ALL DIMENSIONS ARE IN MM |
| Date | 26-03-2022 | Scale 2:1 | MATERIAL - PC | |