



LENS POINT (INDIA) PVT. LTD.

135X85°

Street Light Lens

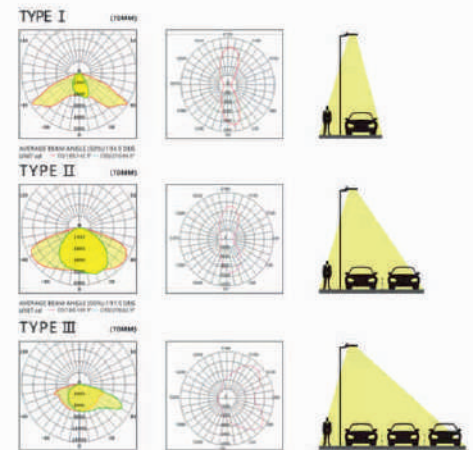


PART NUMBER	SIZE	LED MATERIAL	LED PACKAGE	LED MANUFACTURER
LP19_12X1_3535_135X85°-50505.5_SL6	50X50X5.5 mm	PC	3535	

General Information

Application

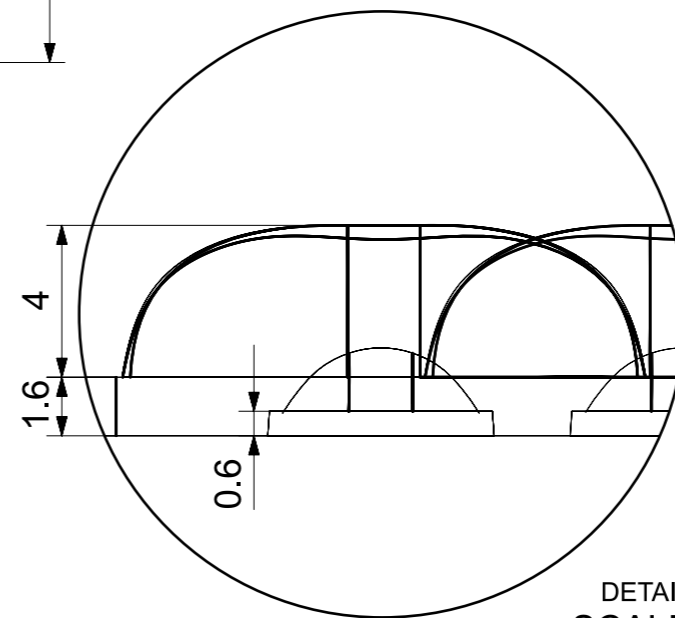
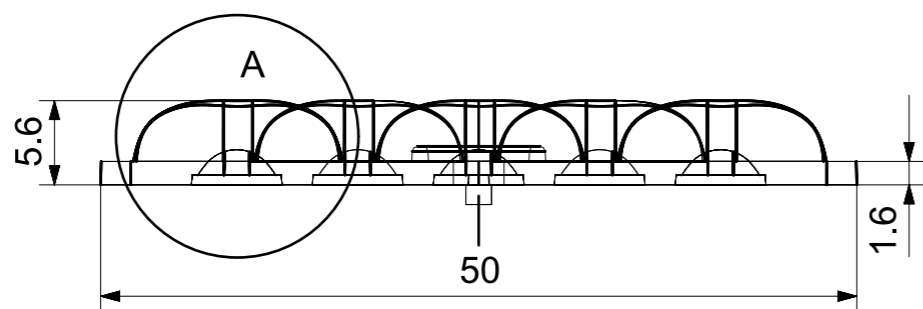
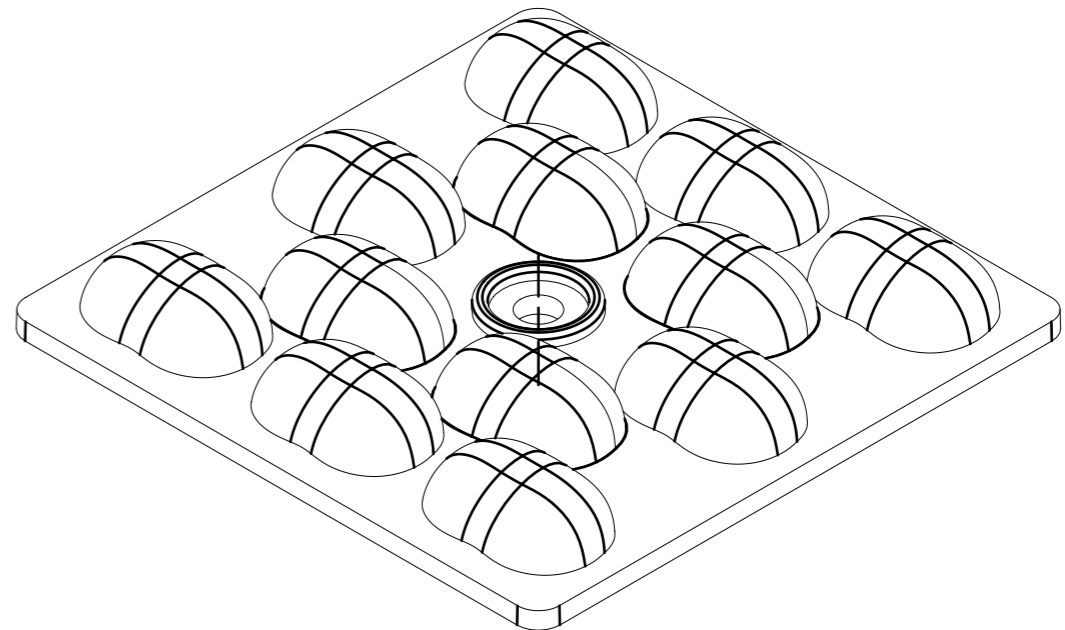
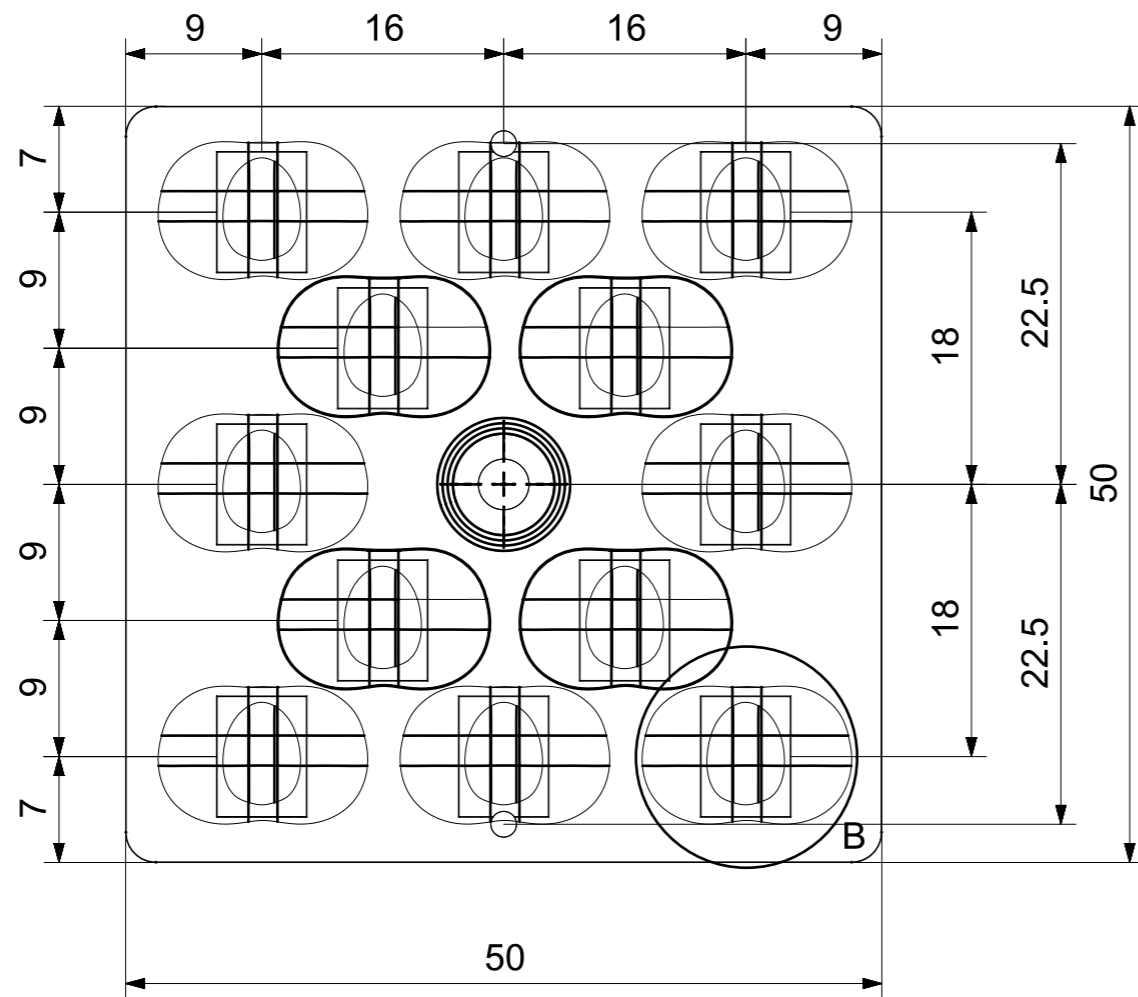
- Lens Material : Optical Grade PC (Bayer 2407)
- Luminous transmittance : 89 to 90%(ISO 135468-/ASTM D1003)
- Refractive index : 1.584 (ISO 489/ASTM D542)
- Operating Temperature range -40°C to 110°C (upper limit +130°C)
- Flammability : HB/V-o (UI94)
- If necessary, clean lenses with mild soap, water and soft cloth.
- ⚠ Never use any commercial cleaning solvents on lenses, like alcohol
- Please handle or install lenses with wearing gloves, skin oils may damage lens or its optical characteristics.



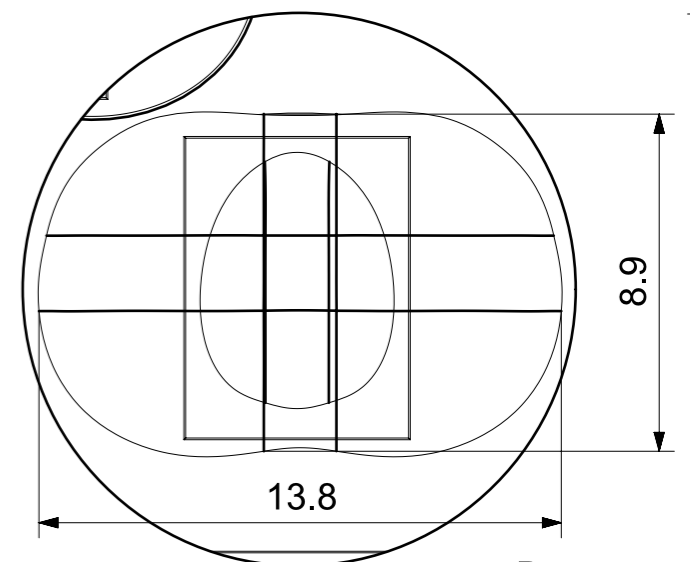
Plot No.3, Kaili Industrial Area, Main GT Road, Ballabgarh, Faridabad-121004, Haryana

+91 9711472021, 7838461601

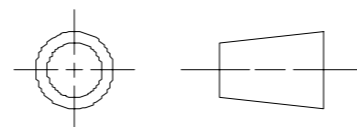
lenspointindia@gmail.com www.lenspointindia.com



DETAIL A
SCALE 5:1



DETAIL B
SCALE 5:1



ALL DIMENSIONS IN MM



LENS POINT (INDIA) PVT. LTD.

FIRST ISSUED	24-11-2021
DRAWN BY	AJAY BIDHURI
CHECKED BY	AKASH
APPROVED BY	VISHAL MITTAL
MATERIAL	PC

TITLE		12X1 STREET LIGHT LENS		SHEET REV	
SIZE	PART NUMBER	A3		A	
SCALE 1:1		LPSL-12X1_3030_135X85_505056-008		SHEET 1 OF 1	

A3