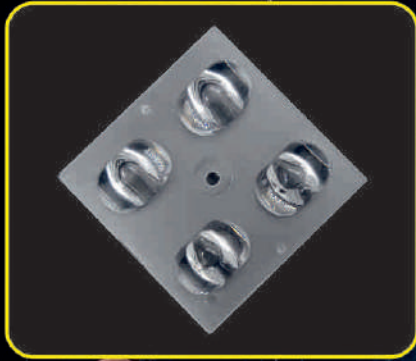




## 145X45

### Street Light Lens

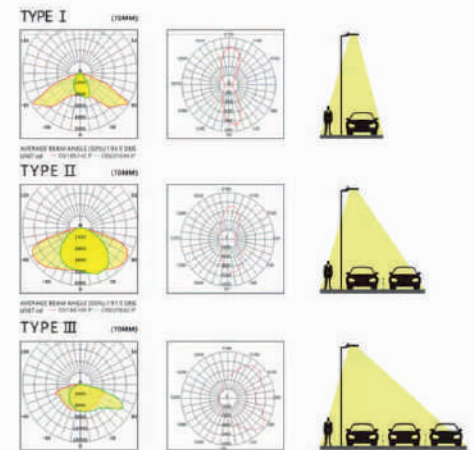


PART NUMBER	SIZE	LED MATERIAL	LED PACKAGE	LED MANUFACTURER
LP14_4X1_5050_145X45°-50508.5_SL7	50X50X8.5 mm	PC	5050	

#### General Information

#### Application

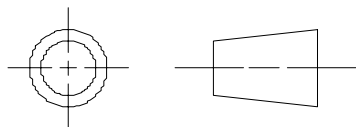
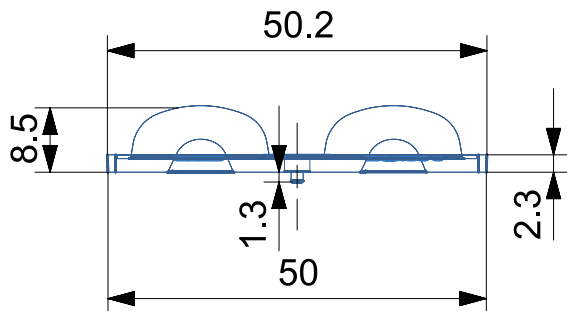
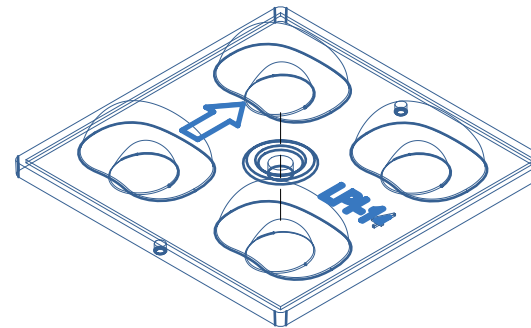
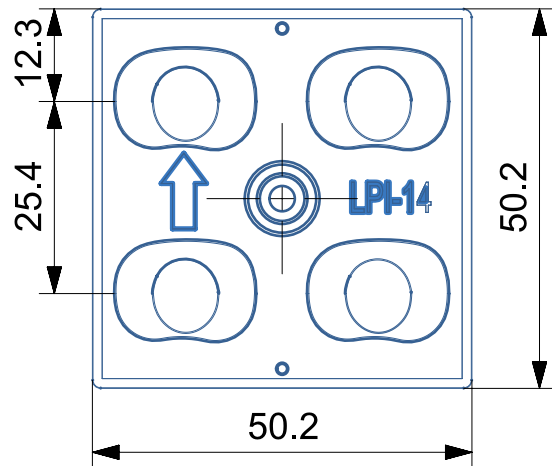
- Lens Material : Optical Grade PC (Bayer 2407)
- Luminous transmittance : 89 to 90%(ISO 135468-/ASTM D1003)
- Refractive index : 1.584 (ISO 489/ASTM D542)
- Operating Temperature range -40°C to 110°C (upper limit +130°C)
- Flammability : HB/V-o (UI94)
- If necessary, clean lenses with mild soap, water and soft cloth.
- ⚠ Never use any commercial cleaning solvents on lenses, like alcohol
- Please handle or install lenses with wearing gloves, skin oils may damage lens or its optical characteristics.



Plot No.3, Kaili Industrial Area, Main GT Road, Ballabgarh, Faridabad-121004, Haryana

+91 9711472021, 7838461601

lenspointindia@gmail.com www.lenspointindia.com



ALL DIMENSIONS IN MM



LENS POINT (INDIA) PVT. LTD.

FIRST ISSUED	12-01-2022
DRAWN BY	AJAY BIDHURI
CHECKED BY	AKASH
APPROVED BY	VISHAL MITTAL
MATERIAL	PC

TITLE		4X1 SL LENS		SHEET REV	
SIZE	DRG NAME			A	
A4	LPSL-4X1-5050_145X45_50508.5_SL7				

SCALE 1:1 SHEET 1 OF 1

