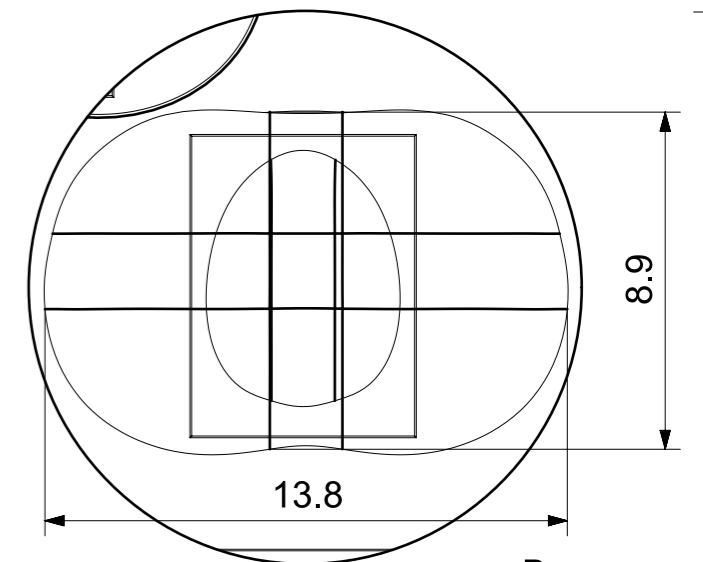
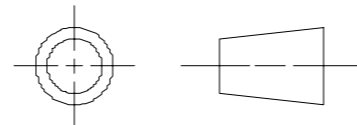


DETAIL A  
SCALE 5:1



DETAIL B  
SCALE 5:1



ALL DIMENSIONS IN MM



**LENS POINT (INDIA) PVT. LTD.**

FIRST ISSUED	24-11-2021
DRAWN BY	AJAY BIDHURI
CHECKED BY	AKASH
APPROVED BY	VISHAL MITTAL
MATERIAL	PC

TITLE		12X1 STREET LIGHT LENS		SHEET REV	
SIZE	PART NUMBER	A3		A	
SCALE 1:1		LPSL-12X1_3030_135X85_505056-008		SHEET 1 OF 1	

A3